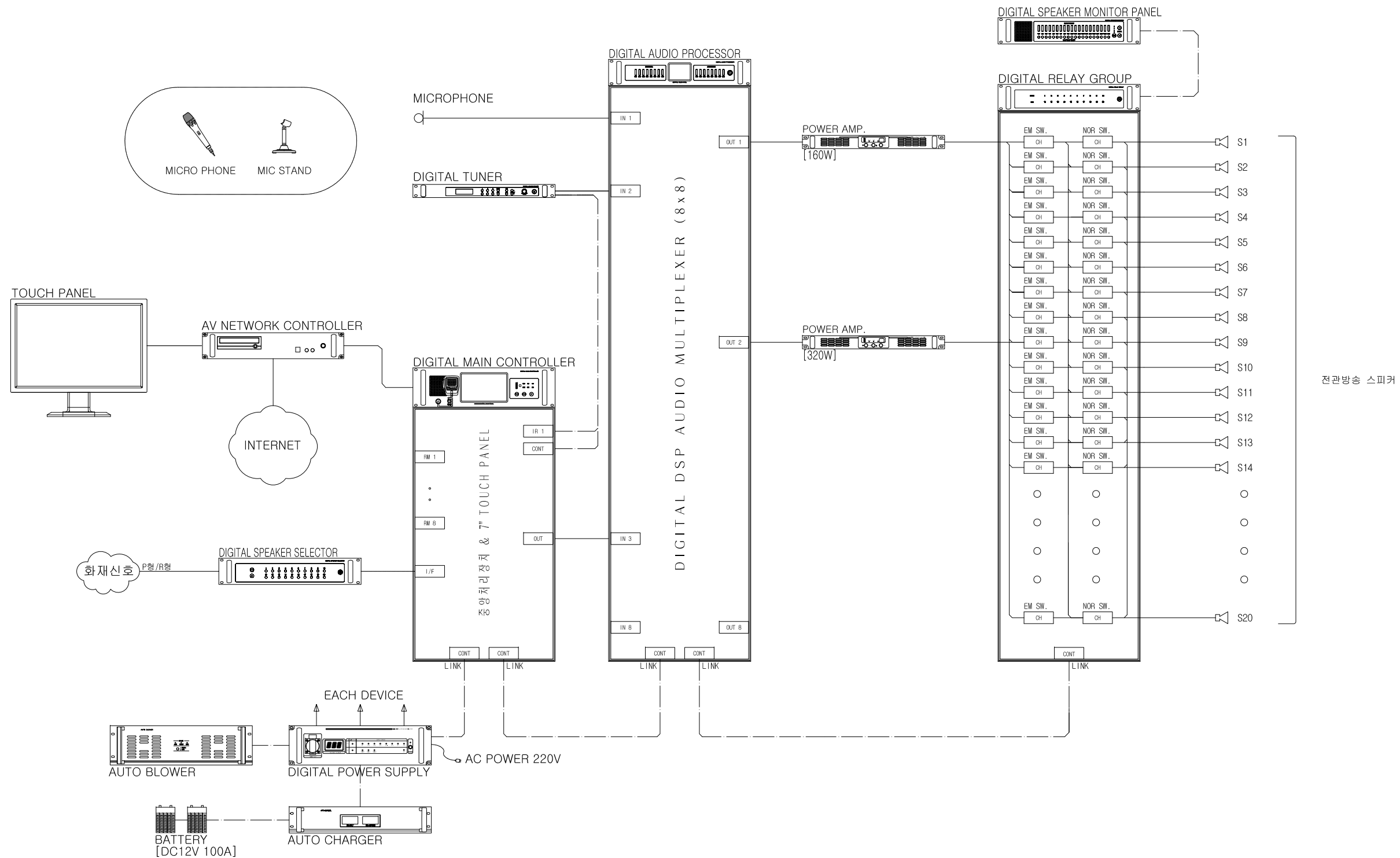


PROJECT TITLE :

NOTE :



NO.	DESCRIPTION	DATE

DRAWING TITLE :

IBS5250-SC01N 계통도 -1

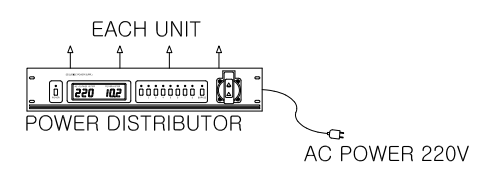
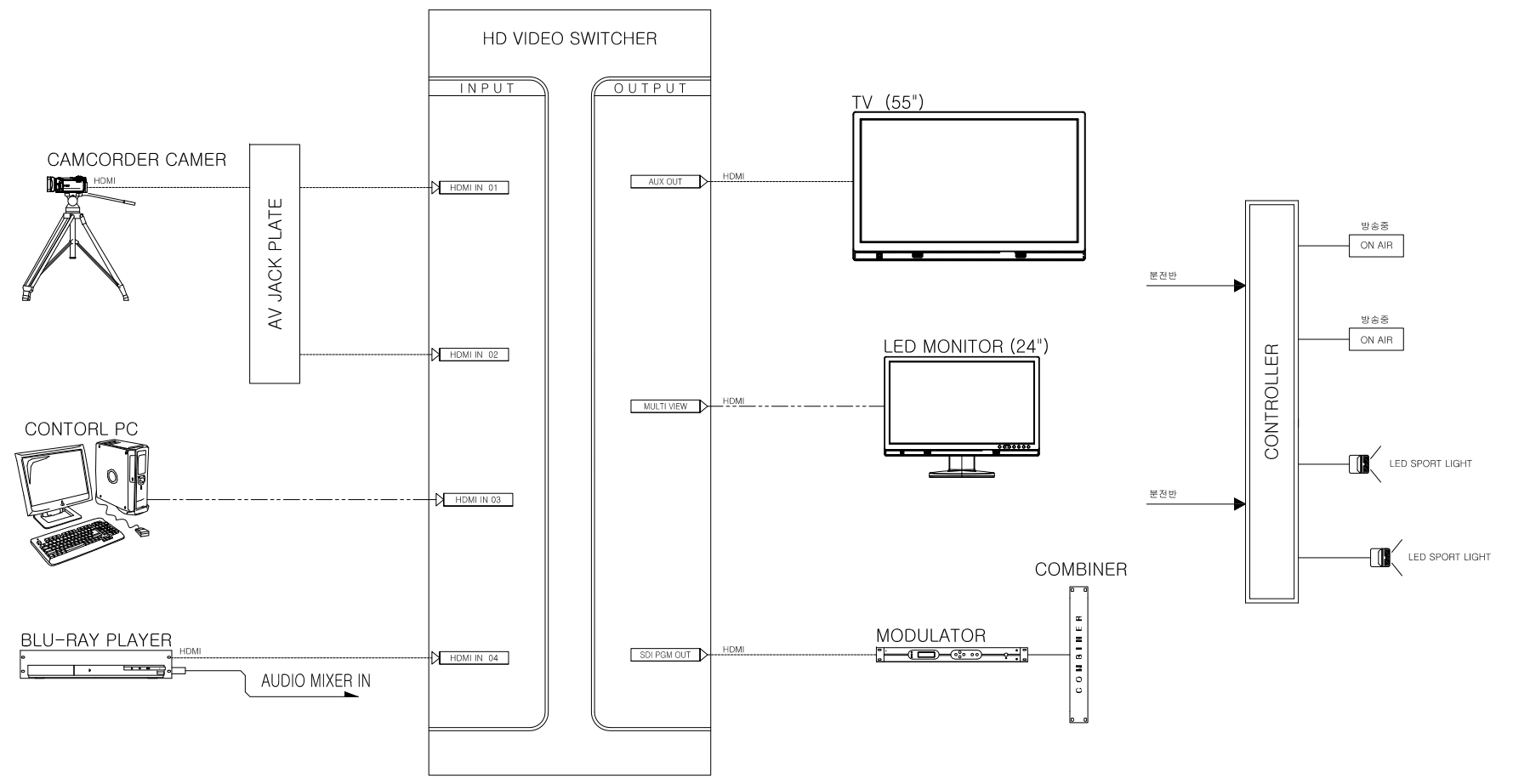
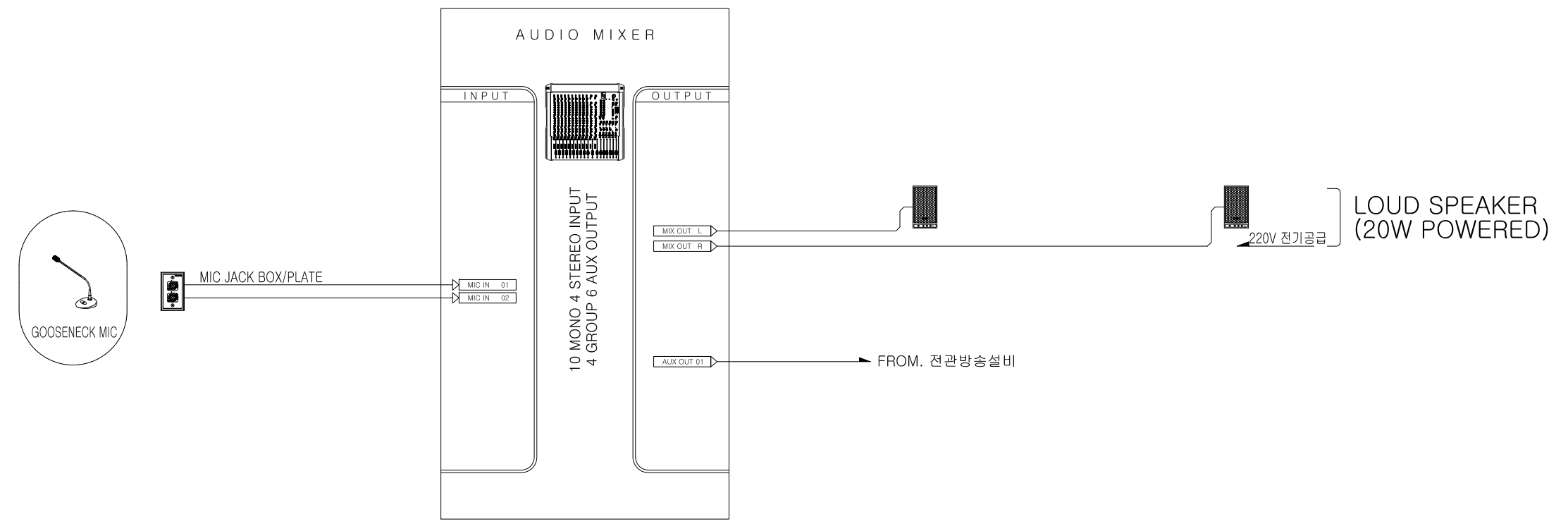
DRAWN BY :	SCALE :
REDREWN BY :	1/NONE (A3)
CHECKED BY :	DATA :
APPROVED BY :	

DRAWING NO.

IBS5250-SC01N 계통도 -1  
SCALE : 1/NONE (A3)

PROJECT TITLE :

NOTE :



IBS5250-SC01N 계통도 -2  
 SCALE : 1/NONE (A3)

NO.	DESCRIPTION	DATE

DRAWING TITLE :

IBS5250-SC01N 계통도 -2

DRAWN BY :	SCALE :
REDREWN BY :	1/NONE (A3)
CHECKED BY :	DATA :
APPROVED BY :	

DRAWING NO.