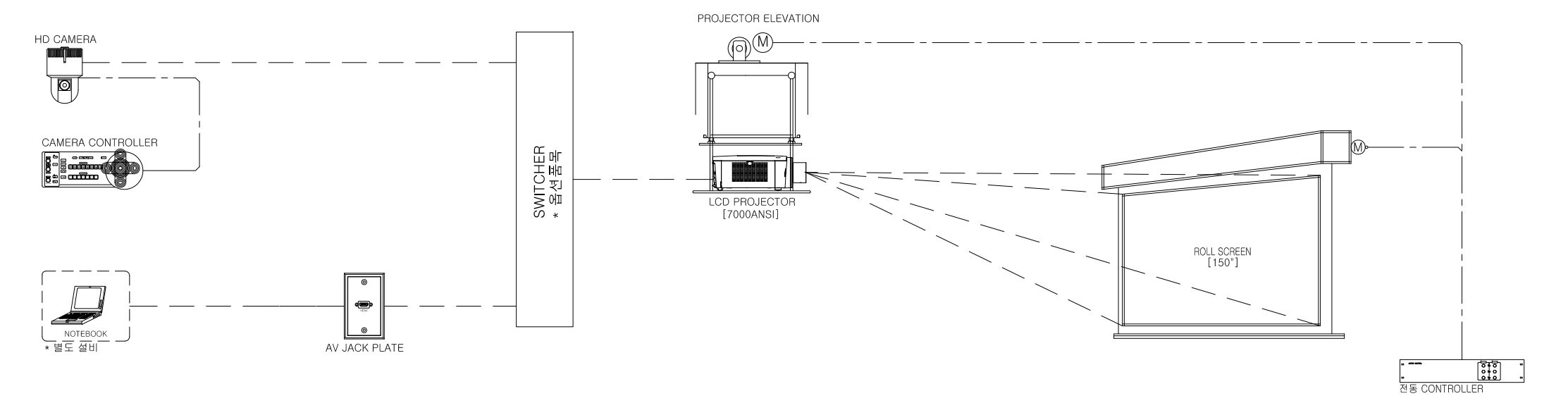
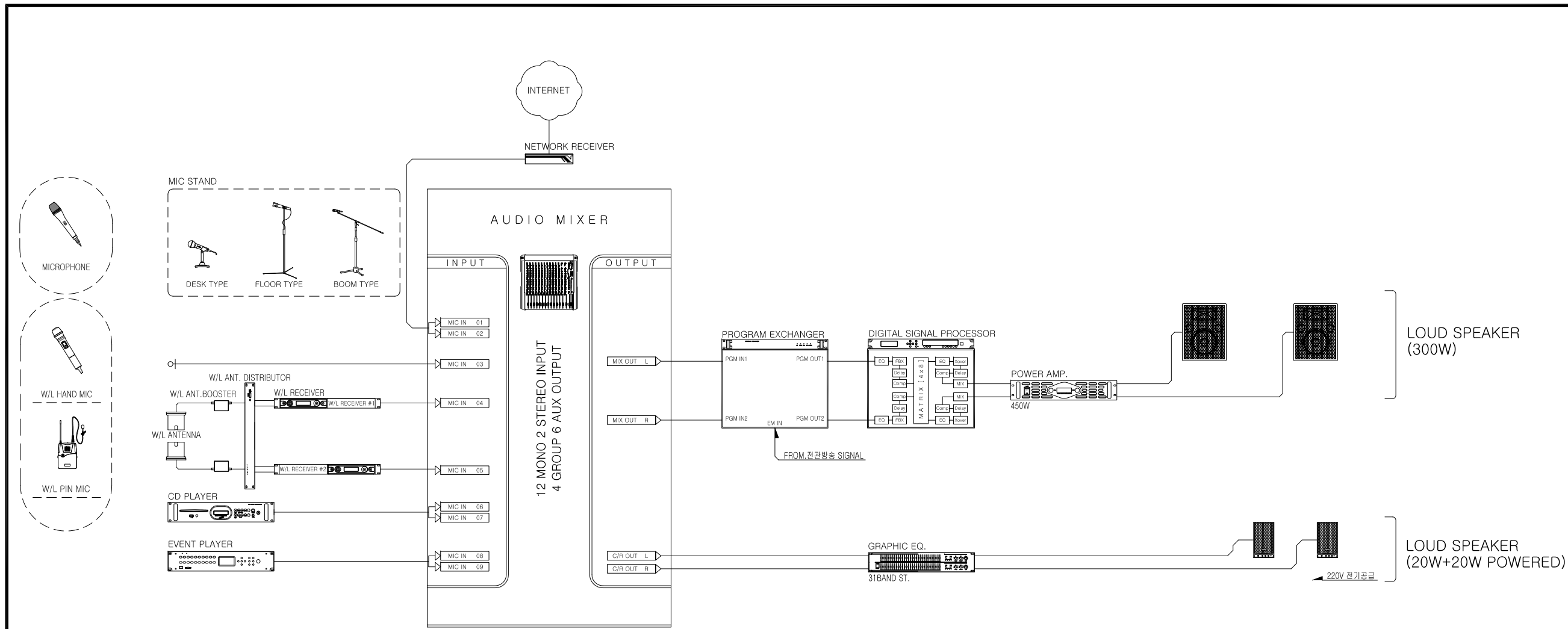


PROJECT TITLE :

NOTE :



IBS5250-MH07N 계통도
SCALE : 1/NONE (A3)

NO.	DESCRIPTION

DRAWING TITLE :

IBS5250-MH07N 계통도

DRAWN BY :	SCALE :
REDREWN BY :	1/NONE (A3)
CHECKED BY :	DATA :
APPROVED BY :	

DRAWING NO.