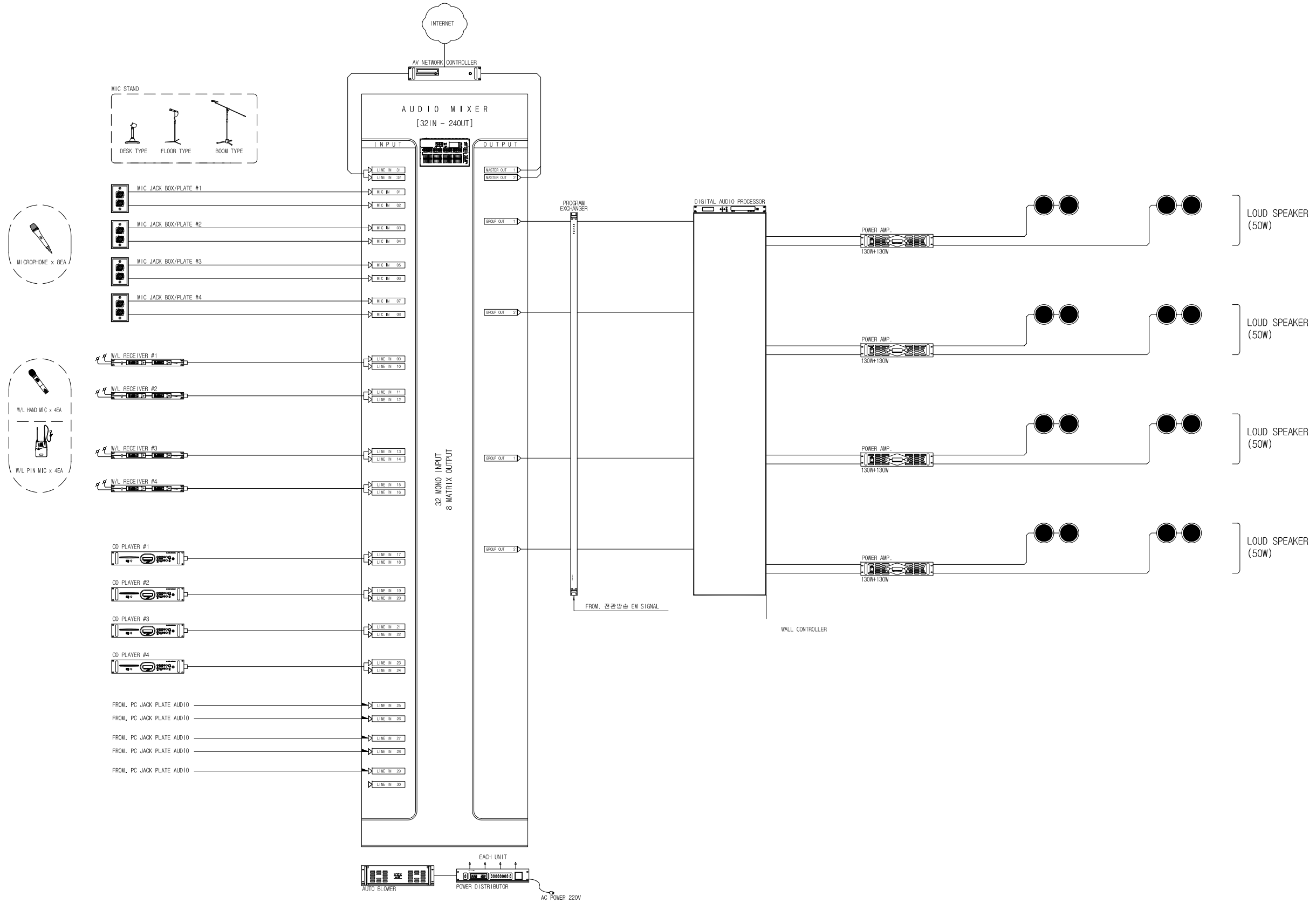


PROJECT TITLE :

NOTE :



NO.	DESCRIPTION	DATE

DRAWING TITLE :

IBS5250-SW21 계통도-1

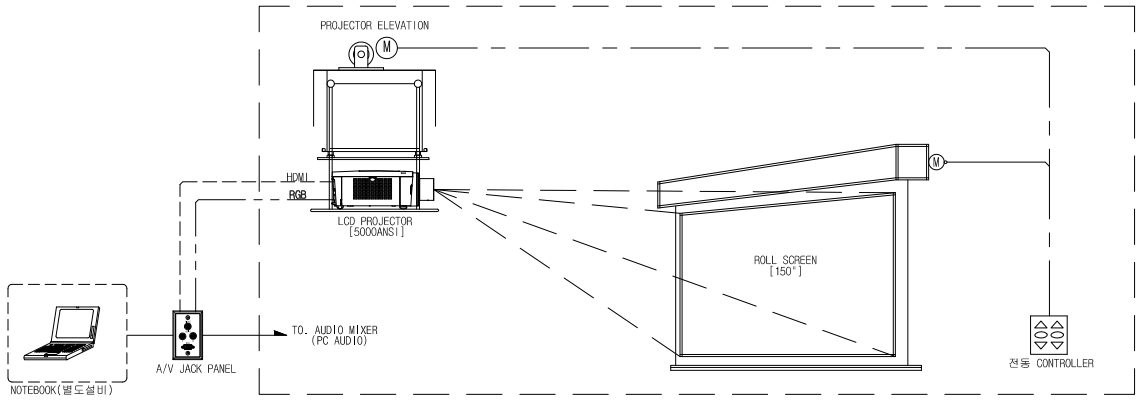
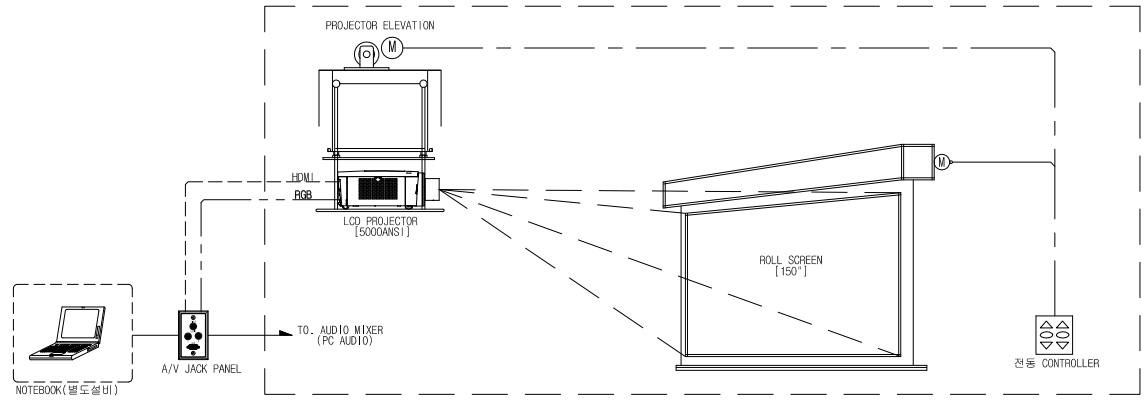
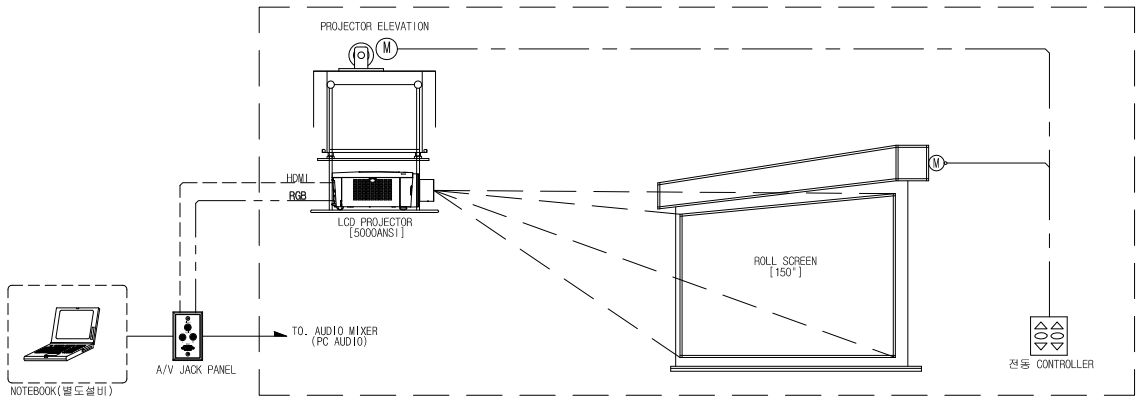
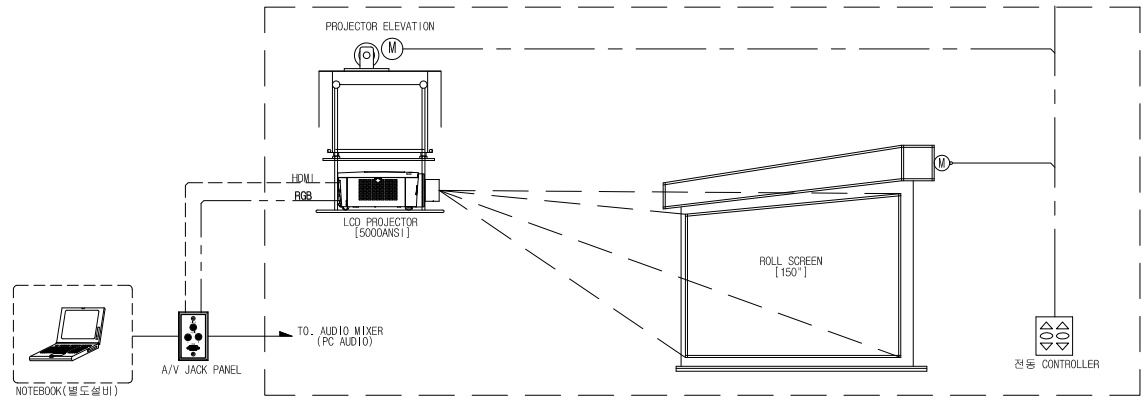
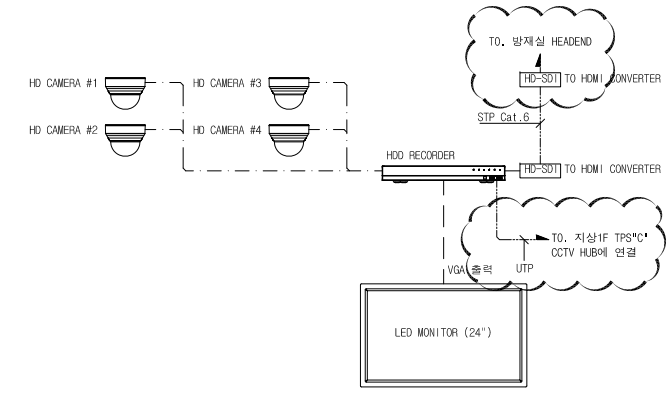
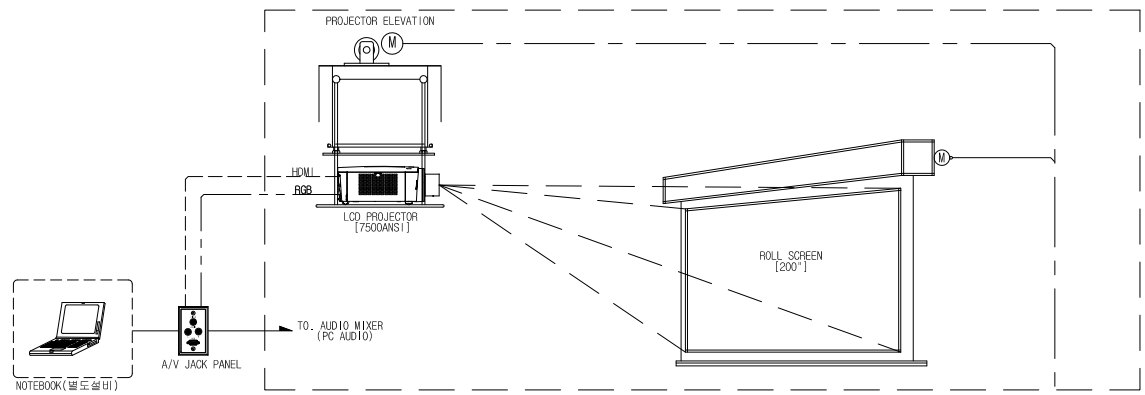
DRAWN BY :	SCALE : 1/NONE (A3)
REDREWN BY :	
CHECKED BY :	DATA :
APPROVED BY :	

DRAWING NO.

IBS5250-SW26 계통도-1  
 SCALE : NONE

PROJECT TITLE :

NOTE :



NO.	DESCRIPTION	DATE

DRAWING TITLE :

IBS5250-SW26 계통도-2

DRAWN BY :	SCALE : 1/NONE (A3)
REDREWN BY :	
CHECKED BY :	DATA :
APPROVED BY :	

DRAWING NO.

IBS5250-SW26 계통도-2  
 SCALE : NONE