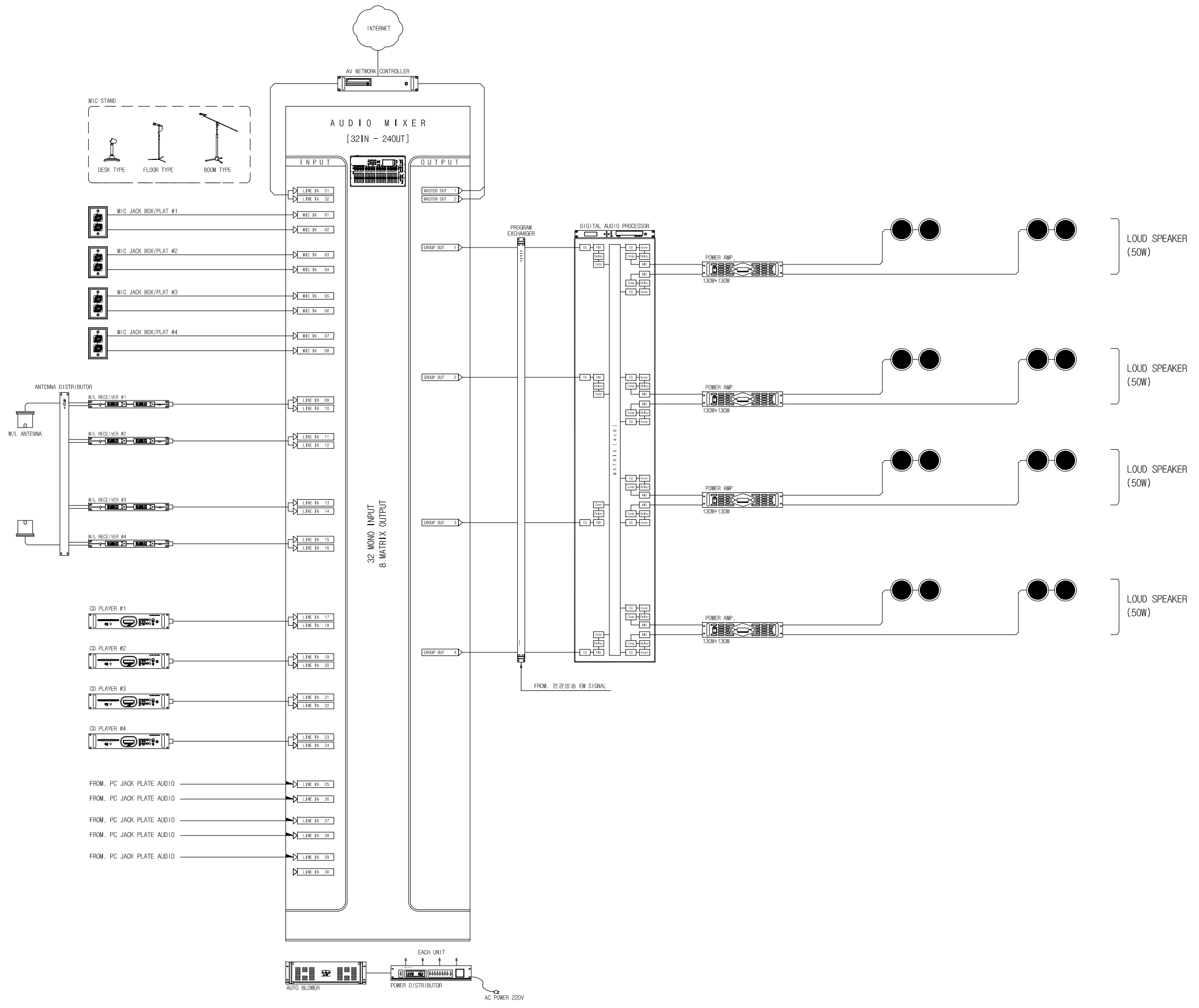
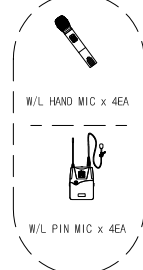


PROJECT TITLE :

NOTE :



| NO. | DESCRIPTION | DATE |
|-----|-------------|------|
| | | |
| | | |
| | | |
| | | |

DRAWING TITLE :
IBS5250-SW27 계통도-1

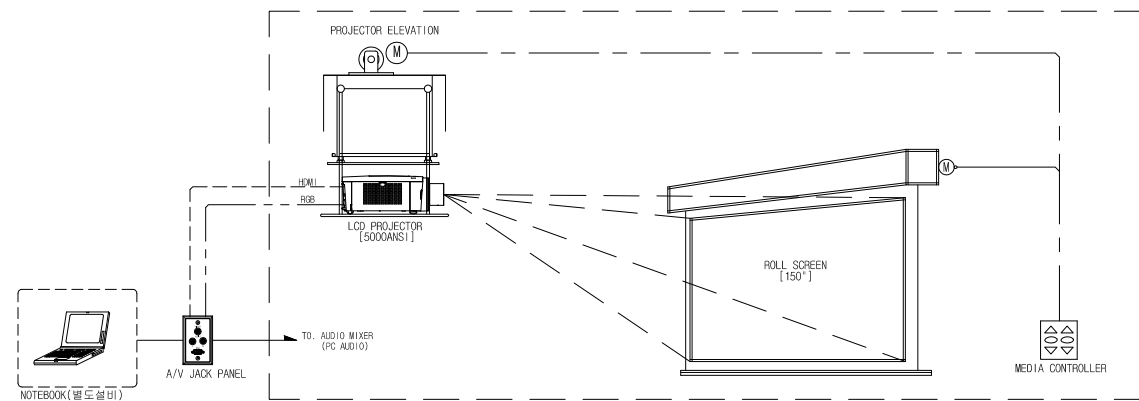
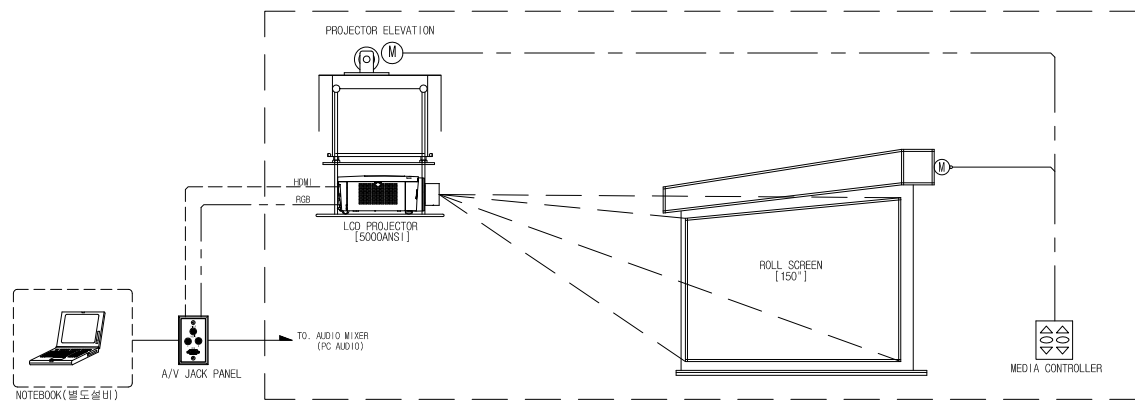
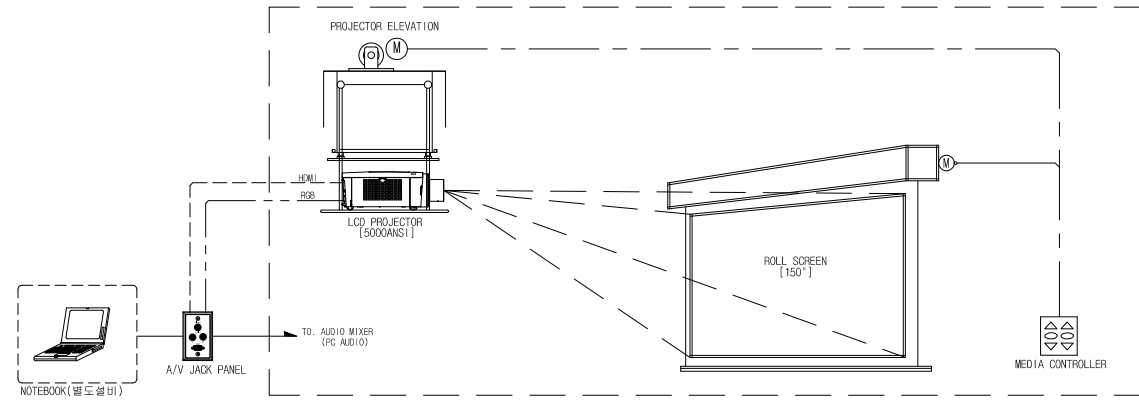
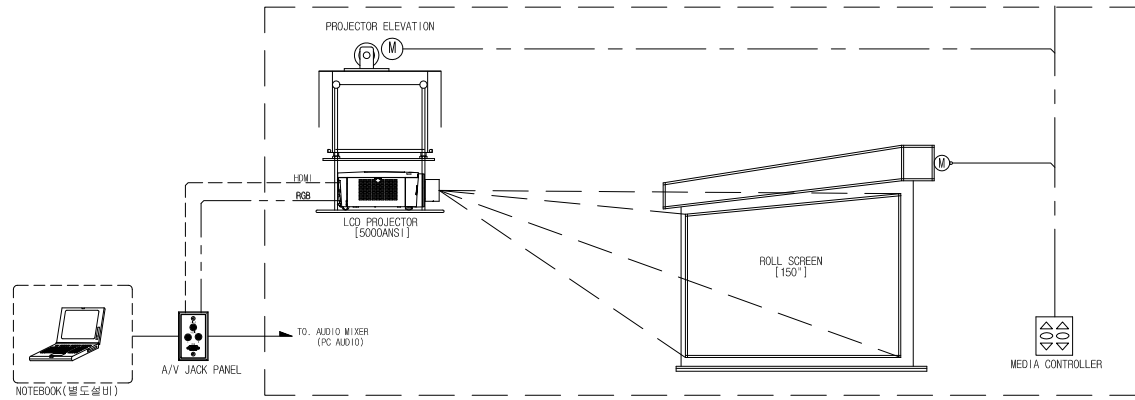
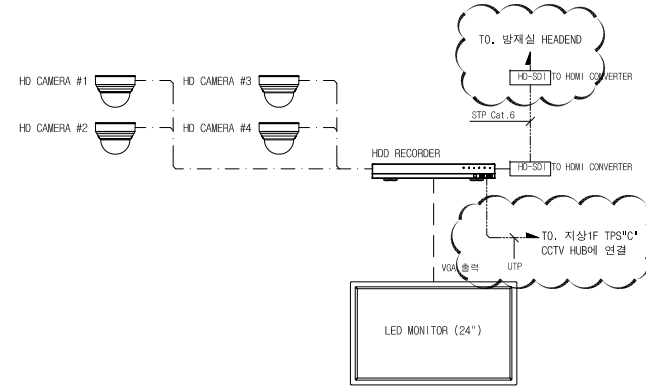
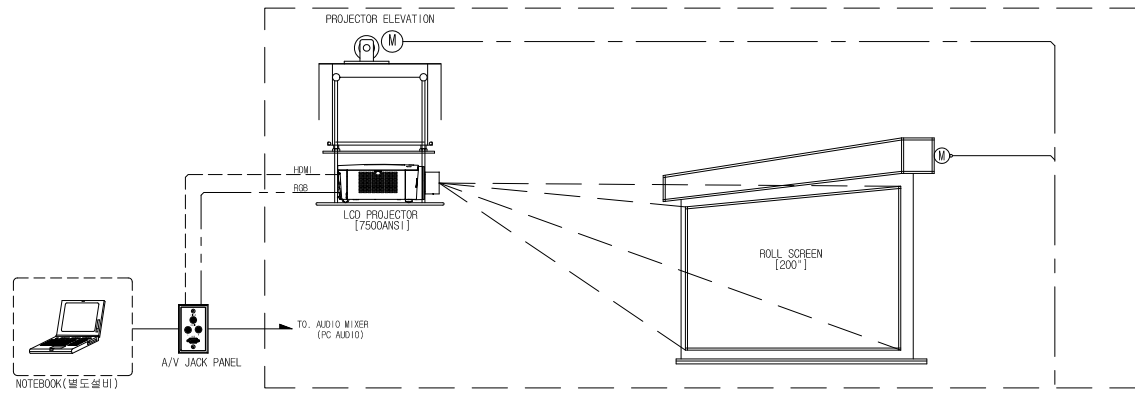
| | |
|---------------|-------------|
| DRAWN BY : | SCALE : |
| REDREWN BY : | 1/NONE (A3) |
| CHECKED BY : | DATA : |
| APPROVED BY : | |

DRAWING NO.

IBS5250-SW27 계통도-1
SCALE : NONE

PROJECT TITLE :

NOTE :



| NO. | DESCRIPTION | DATE |
|-----|-------------|------|
| | | |
| | | |
| | | |

DRAWING TITLE :

IBS5250-SW21 계통도-2

| | |
|---------------|-------------|
| DRAWN BY : | SCALE : |
| REDREWN BY : | 1/NONE (A3) |
| CHECKED BY : | DATA : |
| APPROVED BY : | |

DRAWING NO.